

# SMOKE ALARM

PHOTOELECTRIC

MODEL. **7010LBL**

CAT. 1042736



## 10 YEAR BATTERY BACKUP

9V lithium battery

\*warranted to last 10 years under normal conditions. No battery change required.

## PHOTOELECTRIC

Photoelectric technology is generally more sensitive at detecting large particles, and is more resistant to nuisance alarms from cooking or shower steam.

## LATCHING ALARM INDICATOR

Remembers which unit initiated an alarm.

## SILENCE FEATURE

Single test/silence button combines both features for easy operation.

## PERFECT MOUNT

Easy mounting bracket- keep alarm secure over wide rotation for perfect alignment.



# BRK<sup>®</sup>

**THE PROFESSIONAL STANDARD**

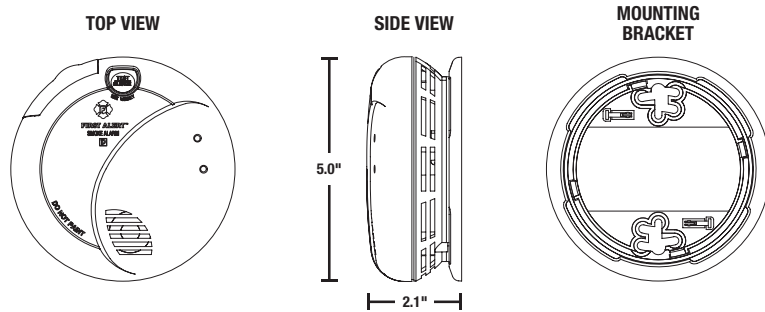
**120V AC/DC with 9V Lithium  
10 Year Battery Backup\***

Description:

The BRK Brands, Inc. model number 7010LBL (Cat. 1042736) is a wire-in, 120V AC/DC with a Sealed 10-Year Lithium Battery Backup\*, 60Hz single and/or multiple station photoelectric smoke alarm specifically designed for residential and institutional applications including sleeping rooms of hospitals, hotels, motels, dormitories and other multi-family dwellings as defined in standard NFPA 101. Model 7010LBL complies with UL217, CSFM, NFPA 72, HUD, FHA and other agencies that model their codes after the above agencies. It meets building codes where AC/DC with silence photoelectric smoke alarms are required. The alarms are interconnectable with up to 18 devices, of which 12 can be smoke alarms.

The BRK 7010LBL features a photoelectric smoke sensing chamber, an 85dB horn, a factory locked 9V lithium battery backup, and a "silence" feature. Alarm Latch: Easily identifies initiating alarm even after alarm condition has subsided. The "Perfect Mount" system features a gasketless base and a mounting bracket that keeps the alarm secure over a wide rotation range to allow for true alignment. Other contractor preferred features include a dust cover to keep alarm clean during construction, keyhole slots in the mounting bracket eliminate the need to remove the electrical box screws for installation. Connection to AC power is made with a "Quick-Connect" wiring harness. Installation is quick, easy and cost effective.





## ARCHITECTURAL AND ENGINEERING SPECS

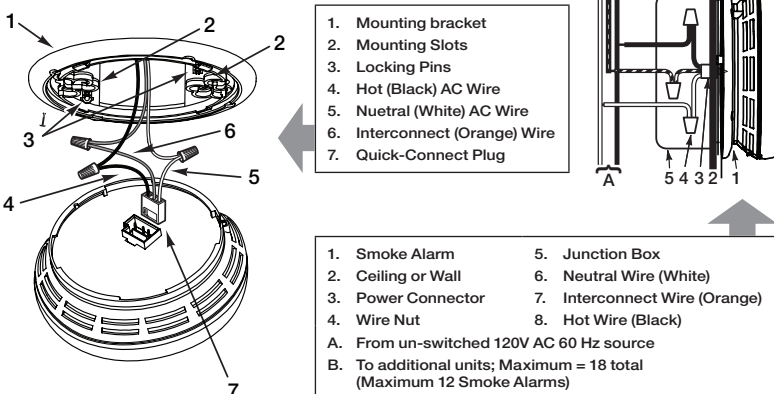
The smoke alarm shall be a BRK Model 7010LBL and shall provide at a minimum the following features and functions:

1. A photoelectric smoke sensing chamber.
2. The unit shall be capable of self restoring.
3. A fully screened sensing chamber to resist entry of small insects thereby reducing the probability of unwanted alarms.
4. Powered by 120V AC, 60Hz and have a monitored 9V lithium battery backup and a solid state piezo horn rated at 85dB at 10 ft.
5. A visual LED power-on indicator to confirm unit is receiving power or is in alarm.
6. A full function test button. The test button should check all alarm functions by stimulating the chamber to simulate a smoke condition, causing the unit to alarm.
7. Latching & silence features: Alarm Latch to easily identify initiating alarm after alarm condition has subsided. Silence feature - Temporarily silence unwanted nuisance alarms.
8. Two Locking features - tamper resistant locking pins that lock battery drawer and/or alarm to mounting bracket.
9. The unit shall be capable of operating between 40°F (4°C) and 100°F (38°C) and relative humidity between 10% and 95%.
10. The unit shall have a gasketless base for easy installation and be capable of keeping alarm secure over a wide rotation range to allow for true alarm alignment.
11. The unit shall have a plug in connector and be capable of interconnection of up to 18 alarms, 12 of which can be smoke alarms.
12. The unit shall at a minimum meet the requirements of UL217, CSFM, NFPA 72, NFPA 101, ICC.

## INSTALLATION OF ALARM

Installation of this smoke alarm must conform to all local electrical codes and Article 760 of the National Electrical Code (NFPA 70) and NFPA 72. Interconnected units must meet the following requirements: Total length of wire interconnecting units should be less than 1000 feet, be #18 gauge or larger and be rated at least 300V. It is recommended that all units be on the same fuse or circuit breaker. If local codes do not permit, be sure the neutral wire is common to both phases.

### THE PARTS OF THIS ALARM



## TECHNICAL SPECS

Alarm Dimensions:	5.0"dia. x 2.1"H
Weight:	8.4 oz
Operating Voltage:	120V AC 60Hz w/ 9V Lithium Battery Backup
Temperature Range:	40°F (4°C) to 100°F (38°C)
Humidity Range:	10% to 95% relative humidity (RH)
Audio Alarm:	85dB at 10 feet
Test/Silence:	Electronically simulates smoke or CO condition, causing the unit to alarm. Press and hold test/silence button.
Alarm Reset:	Automatic when smoke or CO clears
Interconnections:	Up to 18 units of First Alert or BRK Smoke, CO and Heat Alarms. Maximum of 12 smoke alarms. See user's manual for details
Smoke Sensor:	Photoelectric
Indicator Lights/Sounds:	
AC Power:	Constant Green LED
DC Power:	Flashing Red LED once per minute (battery backup)
Local Alarm:	Red LED flashes rapidly
Latching Alarm:	Red LED flashes once per second for 3 seconds after local alarm. Pattern repeats approximately every 45 secs.
Battery End of Life:	Single chirp once per minute
Remote Alarm:	Audio alarm and Red LED out
Listing:	Conforms to UL STD 217

## SHIPPING SPECS

Individual Carton Dimensions:	5.13"W x 2.38"D x 5.13"H
Weight:	0.55 lbs.
Cube:	0.04 ft <sup>3</sup>
UPC:	0 29054 02110 6
Master Carton Dimensions:	10.75"L x 7.88"W x 11.06"H
Master Pack:	6
Weight:	4.25 lbs.
Cube:	0.54 ft <sup>3</sup>
I2of5:	100 29054 02110 3
Pallet Information:	
Cases per Layer:	22
Number of Layers:	4
Cases per Pallet:	88
Units per Pallet:	1056
Cube:	54 ft <sup>3</sup>
Weight:	678 lbs.